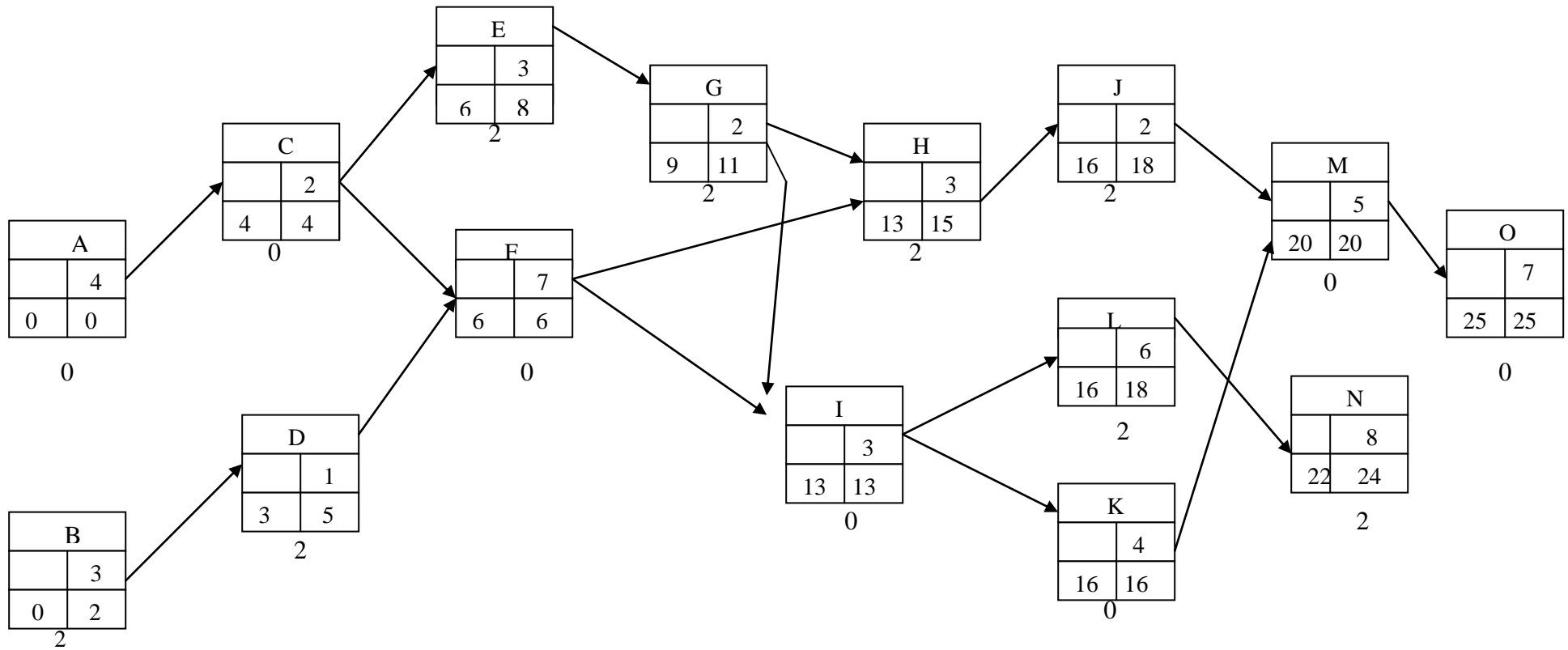
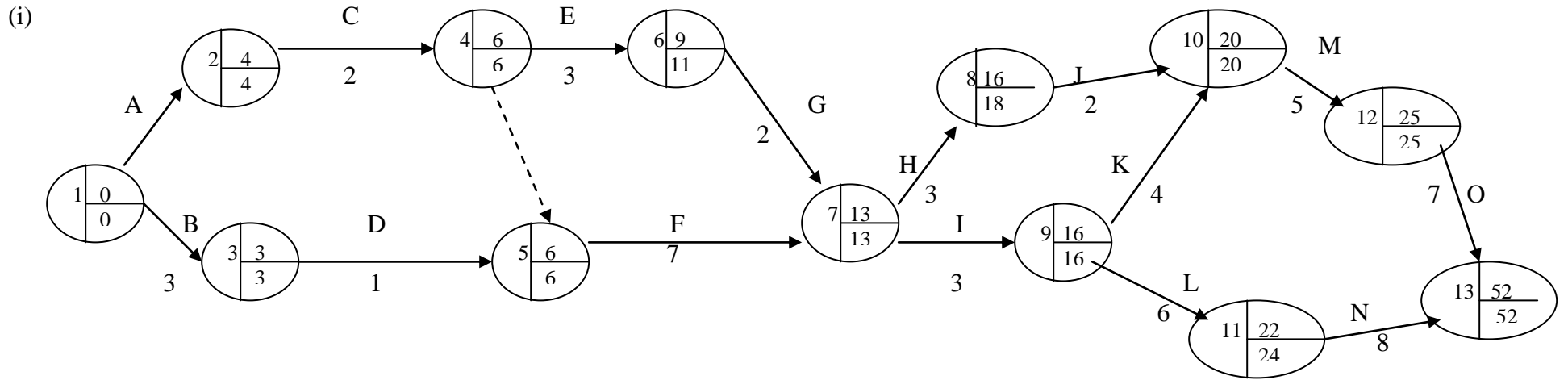


BIS MAY 2010 Q5b



ACFIKMO - 32 weeks

BIS MAY 2010 Q5b



(ii) The minimum path to the completion of the project is ACFIKMO and takes 32 weeks.

(iii) Activity Total Float (weeks)

D	2
E	2
G	2
H	2
N	2